

CABO DAZE

AUTOMATIC ETHANOL FIREPLACE

Net Zero fireplace with the BEV Technology[®]

AUTOMATIC ETHANOL BURNER

The automatic burner with the patented BEV Technology[®] is the most advanced product in the industry ensuring the cleanest burning process without any smoke, smell or ash. The flame is produced by combusting ethanol vapours and has no direct contact with the liquid fuel.

OUTDOOR AUTOMATIC FIRE

A new level of automatic ethanol fire. With the electronics sealed in a watertight compartment, Cabo can be used in outdoor spaces as it is fully resistant to rain and humidity.

FLAME CONTROL

Have control over the fire and take advantage of the 6-stage flame height regulation.



REMOTE CONTROL

Control the fire with the included remote or mobile app on your smartphone.

EASY REFILLING SYSTEM

The system automatically supplies the fireplace with the necessary amount of fuel. When the tank is empty, all you have to do is insert a new one.

SINTERED CERAMIC BOX

The box is made of the highly-renowned Dekton surface by Cosentino – a 12mm thick ultra-compact material made from sintered ceramics, quartz and glass. Its high-performance offers scratch and stain resistance and is known to withstand high temperatures. It has an elegant matte look of Daze marble, making it an eye-catching decoration in any space.



Cabo Daze

(BEV Technology®)

Fuel tank capacity	5.0 L
Maximum burn time	8 hours
Maximum heat output	9.4 kW
Minimum room cubature	94 m ³
Flame height regulation	6 stages
Weight	84.0 kg
Fuel type	bioethanol 95 - 96,6%
Flue	not required
Air change rate	1 space volume per hour
Power supply	230 V
Finish	Dekton Daze, stainless steel
Materials	sintered ceramics, stainless steel, galvanized steel, toughened glass
Application	for outdoor and indoor use

CONTROL OPTIONS



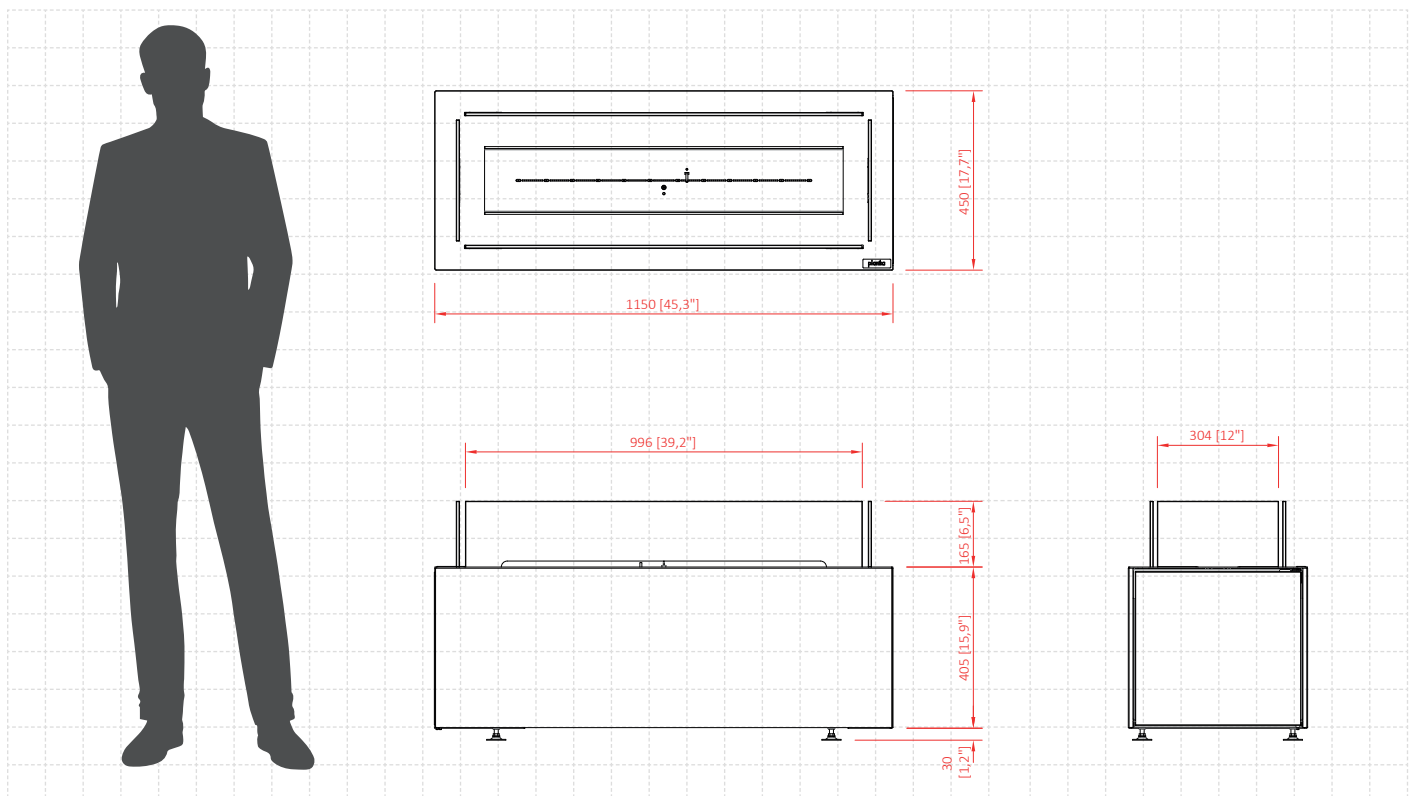
included



included

'FLA3 NET-ZERO' APP

Control the fire with your smartphone!



All product specifications and data are subject to change without notice and are believed to be accurate as of the date hereof. Planika Sp. z o.o., its affiliates, agents, and employees, and all persons acting on its or their behalf (collectively, "Planika Sp. z o.o."), disclaim any and all liability for any errors, inaccuracies or incompleteness contained in any document or in any other disclosure relating to any product. To the maximum extent permitted by applicable law, Planika Sp. z o.o. disclaims any and all liability arising out of the application or use of any product. This document does not expand or otherwise modify Planika Sp. z o.o.'s terms and conditions of purchase, including but not limited to the warranty expressed therein. No license, express or implied, by estoppel or otherwise, to any intellectual property rights is granted by this document or by any conduct of Planika Sp. z o.o.. Customers using or selling Planika Sp. z o.o.'s products not expressly indicated for use in such applications do so entirely at their own risk and agree to fully indemnify Planika Sp. z o.o. for any damages arising or resulting from such use or sale. The images are indicative only.